

AZW Wellglass

IP66/67



The Ablux AZW Wellglass range consists of two wellglass luminaires capable of accepting a wide range of lamp types and wattages and suitable for use in a Zone 1 IIC area.

Manufactured in high pressure die cast aluminium for reduced weight and protected to IP66/67, the AZW range is a versatile luminaire suitable for many applications.

Luminaire Ratings

Product Reference	Lamp Type	Lamp Cap	Power (W)	Temperature Rating	Ambient Temperature	Weight (Kg)
AZW1070HS	HPS/MBI	E27	70	T4	-50°C to 55°C	9.0
AZW1080M	MBFU	E27	80	T4	-50°C to 55°C	8.6
AZW1125M	MBFU	E40	125	T3	-50°C to 55°C	8.8
AZW1150HS	HPS/MBI	E40	150	T3	-50°C to 55°C	9.4
AZW1300T	T/H	E40	300 max*	T3	-50°C to 55°C	7.3
AZW2250HS	HPS/MBI	E40	250	T3	-50°C to 55°C	15.8
AZW2250M	MBFU	E40	250	T3	-50°C to 55°C	15.5
AZW2500T	T/H	E40	500 max*	T3	-50°C to 55°C	12.2

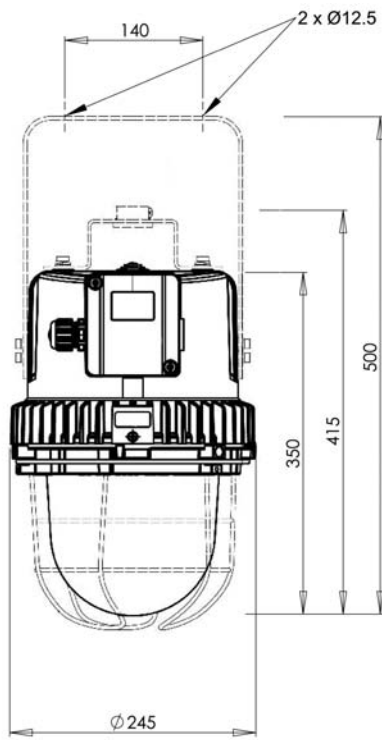
Suffix Key – S = High Pressure Sodium, M = Mercury Vapour, H = Metal Halide, T = Tubular Tungsten Halogen

*300W and 500W respectively is the maximum lamp size permitted. Lower wattage lamps may be fitted.

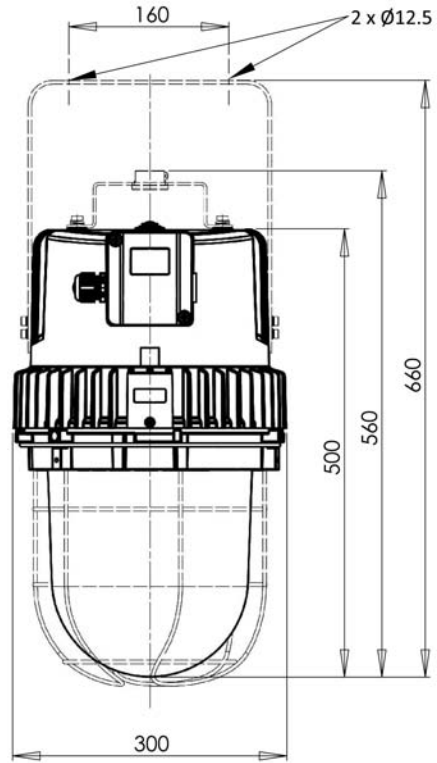
Other wattages and T ratings and ambient ranges available.

Luminaire Specifications

Luminaire Type	Wellglass Luminaire Zone 1
Ingress Protection	IP66/67 to EN60529
Material	Die-cast aluminium, toughened borosilicate globe & stainless steel fasteners
Distribution/output	General illumination
Lamp Types	High Pressure Sodium, Metal Halide, Mercury Vapour or Single Ended Tungsten Halogen
Lamp Cap	E27/ES & E40/GES
Lamp Change	Via screwed flamepath, globe retained by suspension mechanism.
Cable Entry	2 x M25 tapped entries. (M20 optional)
Terminals	Looping terminals for up to 6mm ² conductors as standard
Control Gear	Copper and iron ballast, timed impulse ignitor, pfc capacitor
Orientation	Universal
Mounting	Via 2 rear M6 tapped holes. Saddle bracket, pendant bracket & other options available
Supply	Standard: 220 to 254V 50/60Hz Option: other voltages available on request
Certification	
Area Classification	Group II Category 2 G D (Zone 1)
Type of Protection	Ex de (flameproof & increased safety)
Apparatus Coding	II 2 GD Ex de II(see table for temperature rating & ambient temperature range)



AZW 1



AZW 2

Options

M20 Cable entries	/M20 (By means of a fitted reducer)
60 Hz operation	/60
Non standard voltage	/110 (check with sales office to ensure availability)

Add the required suffix to the product reference, for example AZW1150SH/M20

Accessories

Saddle bracket AZW1	AZW1A-SB
Saddle bracket AZW2	AZW2A-SB
Pendant bracket AZW1	AZW1A-PB
Pendant bracket AZW2	AZW2A-PB
Wire guard AZW1	AZW1A-WG
Wire guard AZW2	AZW2A-WG